



Silver Lake

52 Inch Tall Round Pools

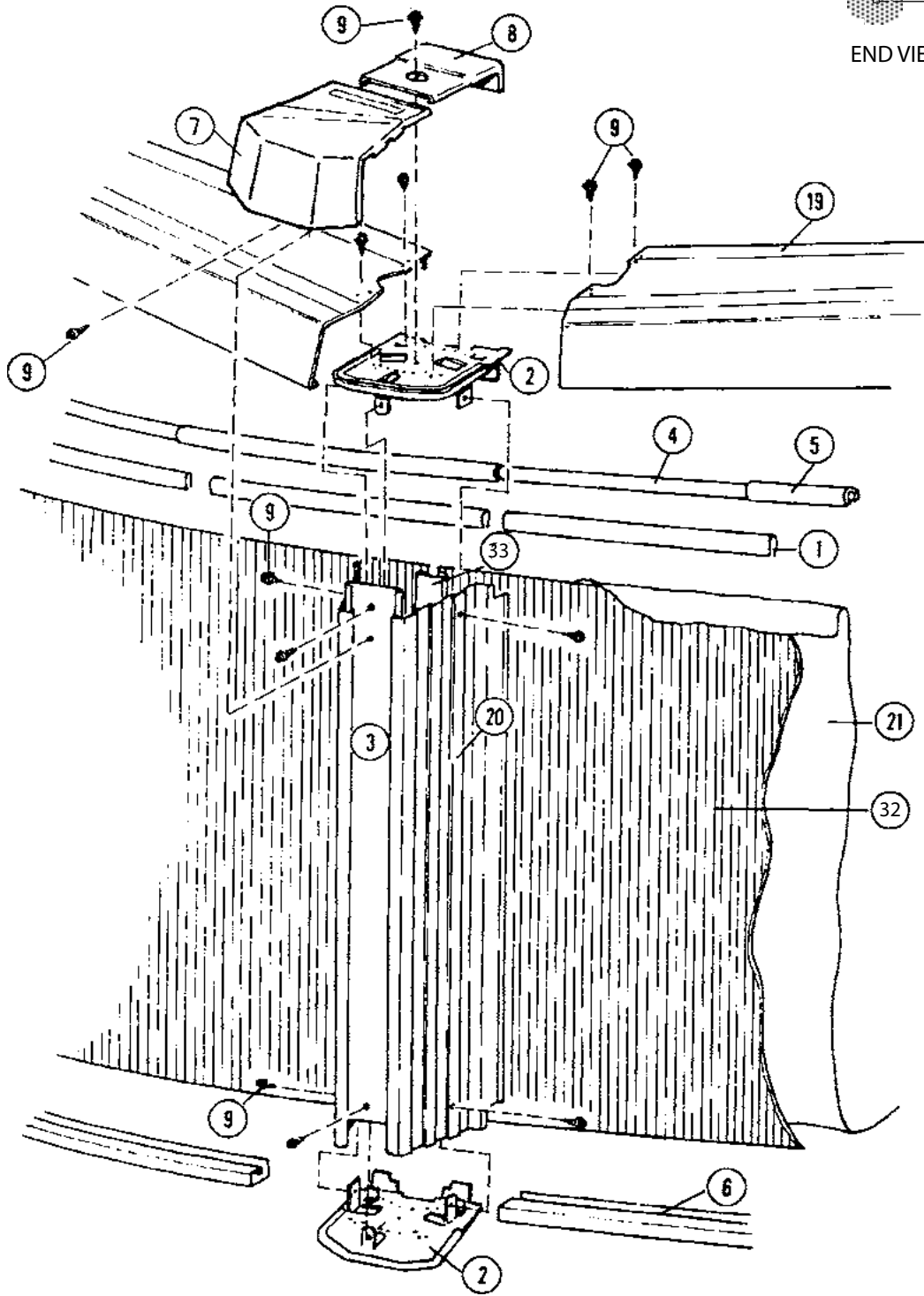
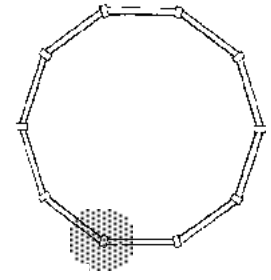
Parts List



Silver Lake Round Pool — Parts List

ITEM # DESCRIPTION	12' x 52"		16' x 52"		18' x 52"		21' x 52"		24' x 52"		28' x 52"	
	PART #	QTY.	PART #	QTY.	PART #	QTY.	PART #	QTY.	PART #	QTY.	PART #	QTY.
ASSEMBLY PACK	0-9912-610	1	0-9916-610	1	0-9918-610	1	0-9921-610	1	0-9924-610	1	0-9928-610	1
610 1												
35 545-1001	40	545-1001	46	545-1001	1001	22545-1001	28	545-1001	30	545-1001	30	545-1001
2. Vertical End Cap	580-1619	20	580-1619	24	580-1619	28	580-1619	32	580-1619	36	580-1619	42
3. Vertical Center Section	580-1954	10	580-1954	12	580-1954	14	580-1954	16	580-1954	18	580-1954	18
580-1954	21	580-1954	21	580-1954	21	580-1954	21	580-1954	21	580-1954	21	580-1954
583-1004	11	583-1004	13	583-1004	13	583-1004	13	583-1004	13	583-1004	13	583-1004
583-1011	9583-1005	10	583-1005	11	583-1005	11	583-1005	13	583-1005	13	583-1005	13
12 589-1048	14589-1049	9	16589-1050	18	589-1051	21	589-1051	21	589-1051	21	589-1051	21
580-1958	12 580-1958	12	14580-1958	12	16 580-1958	18	16 580-1958	18	16 580-1958	18	16 580-1958	18
5186-1205	105186-1205	12	15186-1205	12	145186-1205	12	165186-1205	18	5186-1205	18	5186-1205	18
Metal Screw #10 x 1/2"												
Hexwasher Head, Type AB	330-1127	120	330-1127	156	330-1127	168	330-1127	192	330-1127	216	330-1127	252
Pool Parts List	573-3561	1	573-3561	1	573-3561	1	573-3561	1	573-3561	1	573-3561	1
11. Pool Installation Instructions	573-3190	1	573-3190	1	573-3190	1	573-3190	1	573-3190	1	573-3190	1
12. "Read Me First" Booklet	573-3169	1	573-3169	1	573-3169	1	573-3169	1	573-3169	1	573-3169	1
13.												
14. -----												
15. -----												
16. -----												
17. Warranty Card - Metal	—	1	—	1	—	1	—	1	—	1	—	1
18. —												
TOP RAIL PACK	0-9801-615	1	0-9812-615	1	0-9814-615	1	0-9816-615	1	0-9818-615	1	0-9821-615	1
19. Top Rail	587-1695	10	587-1694	12	587-1694	14	587-1694	16	587-1694	18	587-1694	21
VERTICAL PACK	0-9710-601	1	0-9712-601	1	0-9714-601	1	0-9716-601	1	0-9718-601	1	0-9721-601	1
20. Vertical Side Section	580-1955	20	580-1955	24	580-1955	28	580-1955	32	580-1955	36	580-1955	42
POOL LINER CARTON												
***21. Pool Liner	0-12 -	1	0-16 -	1	0-18 -	1	0-21 -	1	0-24 -	1	0-24 -	1
0-28 -	1	22. Chlorine/Winterizing Instructions	573-2421	1	573-2421	1	573-2421	1	573-2421	1	573-2421	1
573-2421	1	23. "Warning" Decal	560-1041	1	560-1041	1	560-1041	1	560-1041	1	560-1041	1
3 560-1041	3	24. Warranty Card - Liner	369-1145	1	369-1145	1	369-1145	1	369-1145	1	369-1145	1
1— 1	—	25. Installation Insert Sheet	564-1000	1	564-1000	1	564-1000	1	564-1000	1	564-1000	1
369-1145	1		560-1042	2	560-1042	2	560-1042	2	560-1042	2	560-1042	2
**26. Repair Patch	564-1000	1	564-1000	1	564-1000	1	564-1000	1	564-1000	1	564-1000	1
1 27. "Deeper Area" Decal	560-1042	2	560-1042	2	560-1042	2	560-1042	2	560-1042	2	560-1042	2
28. Shallow Decal, 3-3/4 ft.	560-1056	3	560-1056	3	560-1056	3	560-1056	3	560-1056	3	560-1056	3
3												
29. Shallow Decal, 3-1/2 ft.	560-1043	3	560-1043	3	560-1043	3	560-1043	3	560-1043	3	560-1043	3
30. Shallow Decal Insert Sheet	369-1216	1	369-1216	1	369-1216	1	369-1216	1	369-1216	1	369-1216	1
31. "Read Me First" Booklet	573-3169	1	573-3169	1	573-3169	1	573-3169	1	573-3169	1	573-3169	1
SIDEWALL CARTON												
32. Sidewall	0-0552-012	1	0-0552-016	1	0-0552-018	1	0-0552-021	1	0-0552-024	1	0-0552-028	1
33. Joint Piece	580-1914	1	580-1914	1	580-1914	1	580-1914	1	580-1914	1	580-1914	1
34. Warranty Card - Metal	—	1	—	1	—	1	—	1	—	1	—	1
35. "Warning" Sign	560-1046	1	560-1046	1	560-1046	1	560-1046	1	560-1046	1	560-1046	1
36. "Read Me First" Booklet	573-3169	1	573-3169	1	573-3169	1	573-3169	1	573-3169	1	573-3169	1
37. Adhesive Squares	310-1034	6	310-1034	6	310-1034	6	310-1034	6	310-1034	6	310-1034	6
38. Safety Video	573-3498	1	573-3498	1	573-3498	1	573-3498	1	573-3498	1	573-3498	1

EXPLODED VIEW





Important! Above-ground pools are designed for swimming and wading only. Do not Dive or Jump! Misuse of your pool may result in crippling injury and/or other dangers to life and health. Do not use slides, diving boards, or any other platform or object which can be used for improper pool entry. Use only an above-ground swimming pool ladder to enter or exit your pool. It is the pool owner's responsibility to secure the pool against unauthorized, unsupervised or unintentional entry. It is also the pool owner's responsibility to warn all pool users of the hazards of diving into shallow water: paralyzing injury may result. Always obey all safety rules. Remember, pool safety is everybody's responsibility.

Change of Design: Doughboy Recreational expressly reserves the right to change or modify the design and construction of any product in due course of their manufacturing procedures, without incurring any obligation to furnish or install such changes or modifications on products previously or subsequently sold.

DOUGHBOY RECREATIONAL • 315 North Sebastian St. • West Helena, AR 72390
Visit our website at www.doughboy-pools.com